

## 5G DUT Positioning System

### Orbis Systems' turnkey solution for 5G active antenna testing

Orbis Systems is presenting two different standard 5G DUT Positioners in this datasheet. We have one for **5G Sub 6 GHz OTA Chamber** and smaller one for **5G mmWave OTA Chamber**.

Orbis Systems is having turnkey solution which includes OTA chamber with needed interfaces and accessories, positioner system with antenna positioner, DUT positioner, and calibration package.

All specifications of our standard products can be adjusted according to customers' needs.

#### 5G DUT Positioning System

##### *General:*

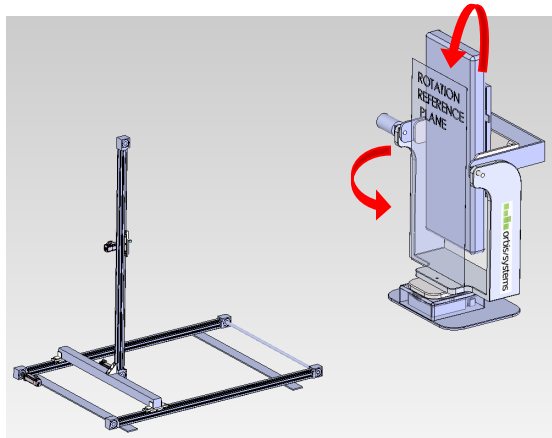
Position of each one of the axes can be read real-time through Ethernet interface (REST API). Each positioner axes has absolute position sensor and it will not lose position during power shutdown, so additional scales or rulers are not needed. Zero/home positions are calibrated during installation.

##### 5G DUT Positioning System for 5G Sub 6 GHz OTA Chamber

- DUT positioner has two rotation axes
- Elevation and Azimuth can be rotated

##### *Positioner travel:*

- $\pm 90$  degree Azimuth range
- $\pm 30$  degree Elevation range

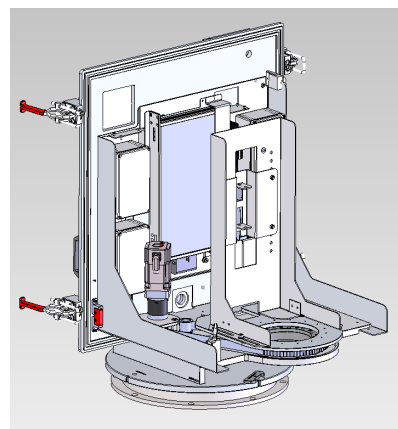


##### 5G DUT Positioning System for 5G mmWave OTA Chamber

- DUT positioner has one rotation axis
- Azimuth can be rotated

##### *Positioner travel:*

- $\pm 90$  degree Azimuth range



5G DUT Positioning System



5G Antenna Positioning System

Orbis Systems provides quality control solutions, functional testing solutions, components and services for customers' R&D, production and after-sales needs.

Orbis Systems' testing solutions have been used in the telecom and electronics industry over 20 years and operations have been global already 15 years.

##### Company locations:

FINLAND

Oulu, Vantaa

CHINA

Beijing, Shenzhen,

Shanghai

INDIA

Chennai

USA

Dallas

**All specifications of our standard products can be adjusted according to customers' needs. And all standard products can be ordered separately.**

##### SALES CONTACTS

<https://www.orbissystems.eu/en/company/sales-contact/>

##### OR CONTACT FORM

<https://www.orbissystems.eu/en/contact/>

## 5G DUT Positioning System

### Orbis Systems DUT Positioning System for 5G active antenna testing

#### 5G DUT Positioning System for 5G Sub 6 GHz OTA Chamber

*Measured antenna:*

- Payload 140kg
- Customized antenna mounting bracket

#### 5G DUT Positioning System for 5G mmWave OTA Chamber

*Measured antenna:*

- Payload 40kg
- Customized antenna mounting bracket

#### Controller for Antenna Positioners

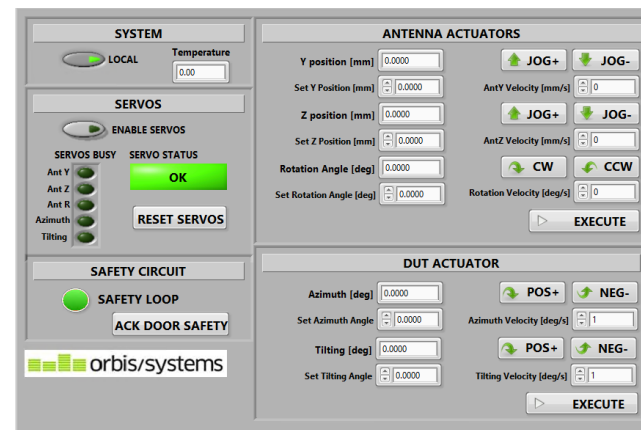
Two positioners (DUT and antenna positioners) can be connected to the same controller. Controller has local user interface and REST API commands for the remote control.

*Specification:*

- Remote interface:
  - Ethernet, RJ45
  - REST API
- Local user interface
- Hardware:
  - Industrial PC, windows 10 operating system
  - Keyboard, track mouse and 24" display
  - Emergency button
  - Main switch 230VaC



Controller for DUT & Antenna Positioners



User interface for DUT & Antenna Positioners



5G Sub 6 GHz OTA Chamber



5G mmWave OTA Chamber